

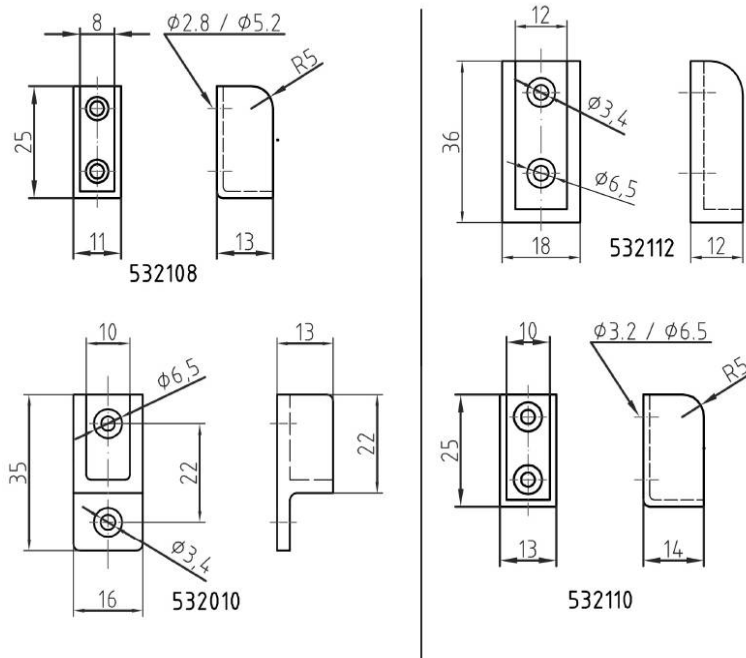
INTERIOR HARDWARE

10

BOARD HOLDER

BOARD HOLDER CASTED - SERIES 5321

Material: Brass



532010.9



532108.9



532110.9

Art.code	Surface	Article description	Unit	Weight
532108.4	Bp	Board holder 25 mm length for 8 mm wood thickness, stamped	pc.	0.015
532108.6	Bpc	Board holder 25 mm length for 8 mm wood thickness, stamped	pc.	0.015
532108.9	Bmc	Board holder 25 mm length for 8 mm wood thickness, stamped	pc.	0.015
532112.4	Bp	Board holder 35 mm length for 12 mm wood thickness, casted	pc.	0.035
532112.6	Bpc	Board holder 35 mm length for 12 mm wood thickness, casted	pc.	0.035
532112.9	Bmc	Board holder 35 mm length for 12 mm wood thickness, casted	pc.	0.030
532116.4	Bp	Board holder 45 mm length for 16 mm wood thickness, casted	pc.	0.070
532116.6	Bpc	Board holder 45 mm length for 16 mm wood thickness, casted	pc.	0.070
532116.9	Bmc	Board holder 45 mm length for 16 mm wood thickness, casted	pc.	0.070